

“Stay Connected” with



Strain Relief Bushings

a PennEngineering® Company

## Heyco® Snap-In Cordgrip Strain Reliefs – Straight-Thru and Pigtail™

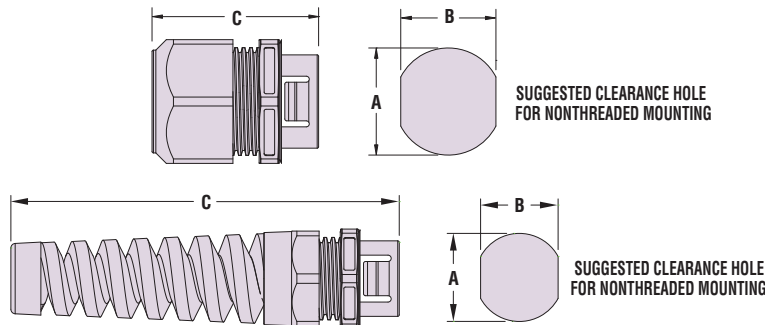
The Ultimate in Snap-In Strain Relief Protection

For Panels from .062" (1,6 mm) to .125" (3,2 mm) Thick



WILL FIT THESE CABLES				PART NO.		DESCRIPTION	UL or RA	PANEL DIMENSIONS						Mounting Hole Plug Part No.
Minimum Diameter		Maximum Diameter		Black	Gray			A Mounting Hole		B To Prevent Rotation		C Max O.A. Length		
in.	mm.	in.	mm.				in.	mm.	in.	mm.	in.	mm.		
<b>Straight-Thru</b>														
.210	5,3	.210	5,3	M4802	M4803	RSCG 500	RA	.500	12,7	.450	11,4	1.21	30,7	2491
.240	6,1	.250	6,4	M4800	M4801	SCG 500								
.210	5,3	.230	5,8	M4808	M4809	RSCG 625	RA	.625	15,9	.550	14,0	1.30	33,0	2497
.210	5,3	.315	8,0	M4806	M4807	SCG 625								
.230	5,8	.260	6,6	M4814	M4815	RSCG 750	RA	.750	19,1	.660	16,8	1.48	37,6	2503
.230	5,8	.400	10,2	M4812	M4813	SCG 750								
.255	6,5	.290	7,4	M4820	M4821	RSCG 875	RA	.875	22,2	.770	19,6	1.46	37,1	2509
.250	6,4	.450	11,4	M4818	M4819	SCG 875								
.300	7,6	.400	10,2	M4826	M4827	RSCG 1000	RA	1.000	25,4	.875	22,2	1.62	41,1	2713*
.350	8,9	.545	13,8	M4824	M4825	SCG 1000								
.385	9,8	.490	12,4	M4832	M4833	RSCG 1093	RA	1.093	27,8	.970	24,6	1.75	44,5	2723*
.435	11,0	.705	17,9	M4830	M4831	SCG 1093								
.385	9,8	.490	12,4	M4838	M4839	RSCG 1125	UL	1.125	28,6	1.000	25,4	1.75	44,5	2717
.435	11,0	.705	17,9	M4836	M4837	SCG 1125								
.490	12,4	.785	19,9	M4844	M4845	RSCG 1250	UL	1.250	31,8	1.125	28,6	2.05	52,1	2740*
.590	15,0	1.000	25,4	M4842	M4843	SCG 1250								
.490	12,4	.785	19,9	M4850	M4851	RSCG 1375	RA	1.375	34,9	1.250	31,8	2.05	52,1	2753*
.590	15,0	1.000	25,4	M4848	M4849	SCG 1375								
.787	20,0	1.020	25,9	M4856	M4857	RSCG 1500	RA	1.500	38,1	1.375	34,9	2.23	56,6	2763*
.875	22,2	1.260	32,0	M4854	M4855	SCG 1500								
.787	20,0	1.020	25,9	M4862	M4863	RSCG 1750	RA	1.750	44,5	1.625	41,3	2.28	57,9	2773*
.875	22,2	1.260	32,0	M4860	M4861	SCG 1750								
1.000	25,4	1.240	31,5	M4868	M4869	RSCG 2000	RA	2.000	50,8	1.875	47,6	2.41	61,2	2959
1.230	31,2	1.560	39,6	M4866	M4867	SCG 2000								
1.160	29,5	1.350	34,3	M4874	M4875	RSCG 2375	RA	2.375	60,3	2.250	57,2	2.50	63,5	Consult Heyco
1.450	36,8	1.560	39,6	M4872	M4873	SCG 2375								
<b>Pigtail</b>														
.210	5,3	.210	5,3	M4902	–	RSCG 500-7	RA	.500	12,7	.450	11,4	2.50	63,5	2491
.240	6,1	.250	6,4	M4900	–	SCG 500-7								
.210	5,3	.230	5,8	M4908	–	RSCG 625-7	RA	.625	15,9	.550	14,0	2.83	71,9	2497
.210	5,3	.315	8,0	M4906	–	SCG 625-7								

Standard color black. \*For Round Mounting Hole only. For DD Mounting Hole Plug, consult Heyco.



- Unique fingers securely lock into a range of panel sizes without use of locknut.
- Pigtail: Integral nylon spring eases the cable into a lazy bend; prevents kinking and assures longest cable and product life.
- Smooth, rounded interior edges for ease of installation.
- Limited intrusion into enclosure where access is tight.
- Rotation prevented when used in Double D mounting holes.
- Easy to install—no tools required.
- Ratchet design of sealing nut assembly provides superior anti-vibration and ensures a firm grip on the cable.
- Available in multiple sizes for cable diameters ranging from .210" (5,3 mm) to 1.560" (39,6 mm).
- We recommend using the fitting with the smallest maximum diameter that will fit your application.
- Meet UL strain relief requirements without kinking the cable.
- For Foam Washers, see page 2-20.
- Though similar in appearance and function to Heyco-Tite Liquid Tight Cordgrips, Snap-in Cordgrip Strain Reliefs may not be liquid tight at the panel interface. For our complete range of **Liquid Tight** Cordgrips with Integral Sealing Ring, see Section 3.
- Use Heyco **Mounting Hole Plugs** for DD Mounting Holes, or **Heyco Dome Plugs** for round Mounting Holes, to fill blank/unused Mounting Holes and thus allow for a single panel design across multiple applications. See section 6.
- For Double D Mounting Hole Punches, see page 4-30.

Material	Nylon 6/6 w/Buna N Sealing Gland
Certifications	Recognized under Underwriters' Laboratories File E51579 Certified by Canadian Standards Association File 093876
Flammability Rating	94V-2
Temperature Range	-.04°F (-18°C) to 221°F (105°C)

Quick Specs