

“Stay Connected” with



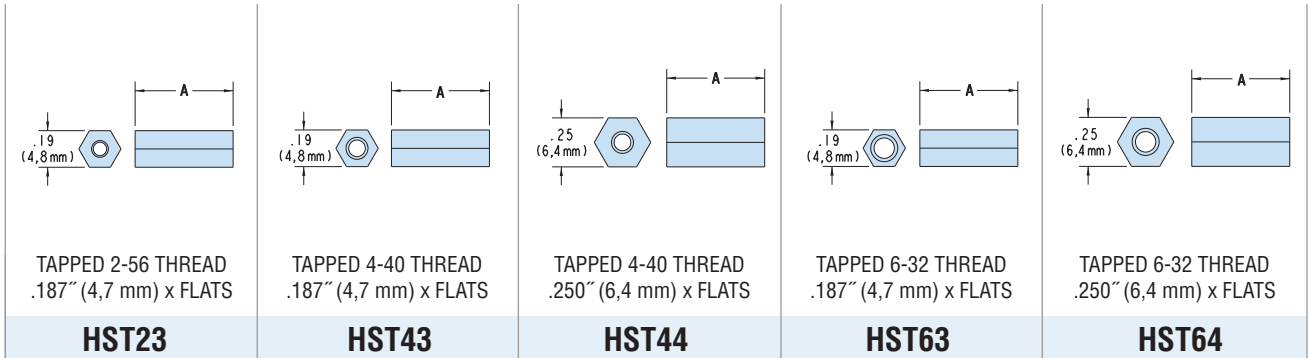
HEYware Products

a PennEngineering® Company



Heyco® Nylon Tapped Hex Spacers

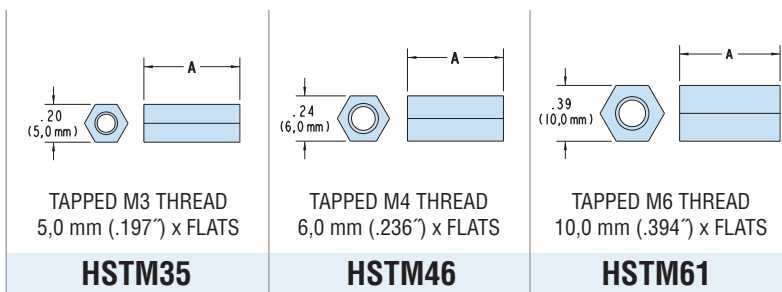
Imperial Spacing and Threads



A		PART NO.	DESCRIPTION	PART NO.	DESCRIPTION	PART NO.	DESCRIPTION	PART NO.	DESCRIPTION	PART NO.	DESCRIPTION
in.	mm.		Natural		Natural		Natural		Natural		Natural
.187	4,8	12500	HST23-03	12512	HST43-03	12524	HST44-03	12536	HST63-03	12552	HST64-03
.250	6,4	12501	HST23-04	12513	HST43-04	12525	HST44-04	12537	HST63-04	12553	HST64-04
.312	7,9	12502	HST23-05	12514	HST43-05	12526	HST44-05	12538	HST63-05	12554	HST64-05
.375	9,5	12503	HST23-06	12515	HST43-06	12527	HST44-06	12539	HST63-06	12555	HST64-06
.437	11,1	12504	HST23-07	12516	HST43-07	12528	HST44-07	12540	HST63-07	12556	HST64-07
.500	12,7	12505	HST23-08	12517	HST43-08	12529	HST44-08	12541	HST63-08	12557	HST64-08
.562	14,3	12506	HST23-09	12518	HST43-09	12530	HST44-09	12542	HST63-09	12558	HST64-09
.625	15,9	12507	HST23-10	12519	HST43-10	12531	HST44-10	12543	HST63-10	12559	HST64-10
.750	19,1	12508	HST23-12	12520	HST43-12	12532	HST44-12	12544	HST63-12	12560	HST64-12
.875	22,2	12509	HST23-14	12521	HST43-14	12533	HST44-14	12545	HST63-14	12561	HST64-14
1.000	25,4	12510	HST23-16	12522	HST43-16	12534	HST44-16	12546	HST63-16	12562	HST64-16

Standard color natural.

Metric Spacing and Threads



A		PART NO.	DESCRIPTION	PART NO.	DESCRIPTION	PART NO.	DESCRIPTION
mm.	in.		Natural		Natural		Black
6,0	.236	12584	HSTM35-M06	12599	HSTM46-M06		
6,4	.250	12585	HSTM35-M06.35*				
8,0	.315	12586	HSTM35-M08	12601	HSTM46-M08		
10,0	.394	12587	HSTM35-M10	12602	HSTM46-M10	12614	HSTM61-M10
11,0	.433	12588	HSTM35-M11*				
12,0	.472	12589	HSTM35-M12	12604	HSTM46-M12	12616	HSTM61-M12
13,0	.512	12590	HSTM35-M13*				
15,0	.590	12592	HSTM35-M15	12606	HSTM46-M15	12618	HSTM61-M15
18,0	.709	12594	HSTM35-M18	12607	HSTM46-M18		
20,0	.787	12595	HSTM35-M20	12608	HSTM46-M20	12620	HSTM61-M20
25,0	.984	12596	HSTM35-M25	12609	HSTM46-M25	12621	HSTM61-M25
30,0						12622	HSTM61-M30

Material	Nylon 6/6
Flammability Rating	94V-2
Temperature Range	-40°F (-40°C) to 185°F (85°C)
HSTM61 Only:	
Material	Glass-filled Nylon PA6
Flammability Rating	UL 94 HB
Temperature Range	-22°F (-30°C) to 374°F (190°C)

Standard color as shown.
*Special order.