



**Modular Wire Routing Clips:**

- Plug and Play various wire management designs.
- Mount with Straight and 90° orientation to the mounting surface for flexibility from project to project.
- Nylon 6/6 wire management devices insulate cables from PV and Racking surfaces.
- Modular wire management devices are removable.
- Nylon material is heat stabilized and UV rated for the harsh outdoor applications in the solar market.
- Patent Pending.

**Heyco® Modular Wire Routing Devices**

BUNDLE DIAMETER RANGE		PART NO. HS/UV Black	MOUNTING CONFIGURATION	DESCRIPTION	HEIGHT C	
in.	mm.				in.	mm.
For Mounting to S6562 or S6564 Solar PV or Rack Mount Stainless Steel Clips						
.230- .315	5,8 - 8,0	11971	Straight	HELIOS MOD S	1.19	30,2
		11972	90 Degree	HELIOS MOD 90	.84	21,3
.29 - .44	7,4 - 11,2	15248	Straight	SBC 437 MOD S	1.09	27,7
<b>WIRE CAPACITY</b>						
.44 x .69	11,1 x 17,5	15173	Straight	CH L-27 MOD S	1.25	31,8
		15183	90 Degree	CH L-27 MOD 90	.70	17,8
.44 x 1.00	11,1 x 25,4	15174	Straight	CH L-35 MOD S	1.57	39,8
		15184	90 Degree	CH L-35 MOD 90	.70	17,8
.83 x .75	21,1 x 19,1	15150	Straight	CH OF-282-48 MOD S	1.36	34,5

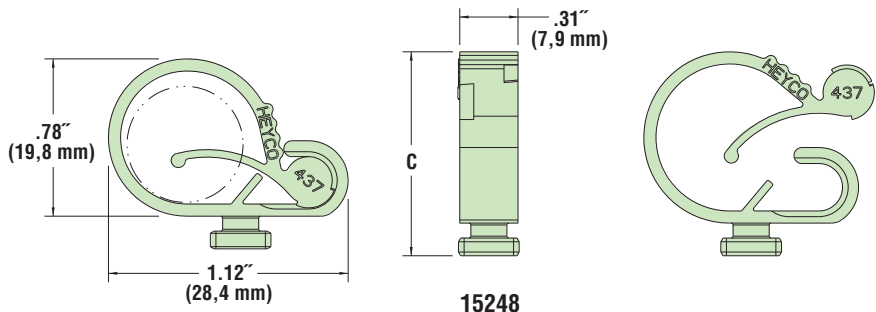
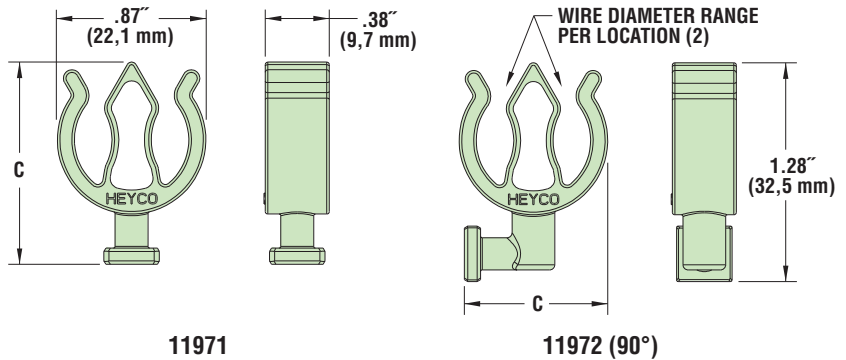
**Modular Mounting Clips**

PANEL THICKNESS RANGE				PART NO.	DESCRIPTION	WIDTH A		LENGTH B	
Minimum in.	Maximum in.	Minimum mm.	Maximum mm.			in.	mm.	in.	mm.
For Modular, Nylon Wire Routing Devices									
.032	0,8	.082	2,1	S6562	PV Modular Clip – Stainless	.69	17,5	.50	12,7
.250	6,35	.250	6,35	S6564	Rack Modular Clip – Stainless	1.32	33,5		



**Stainless Steel Mounting Clips:**

- Stainless Steel PV edge clips mount onto a minimum flange depth requirement of only 10 mm and holds as tight as our popular SunRunner Series.
- Locking tabs securely fasten clips to module extrusions or other panels.
- Generous lead-in for installation without tools.
- Neatly dresses cables on PV panel frames or top rail solar racking systems up to 1/4" width.
- Constructed from corrosion resistant 304 stainless steel; not for use in marine salt water environments.
- Patent Pending.



*Quick Specs*

Material	.025" thick 304 Stainless Steel	Heat Stable, UV Rated Nylon 6/6 Black
Temperature Range	-40°F (40°C) to 572°F (300°C)	-40°F (40°C) to 221°F (105°C)