

“Stay Connected” with



Power Components

a PennEngineering® Company



Heyco® Hospital Grade Solid Male Blades

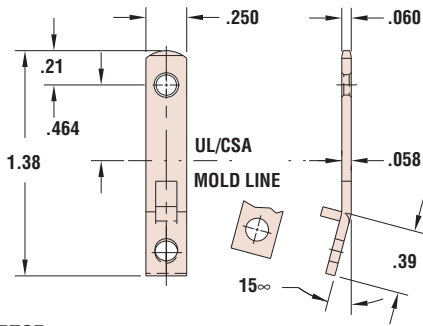
NEMA 1-15P & 5-15P – .058" Mold Line Thickness

Used in solder connected applications for “hospital grade” plugs at .057" (1,4 mm) solid brass

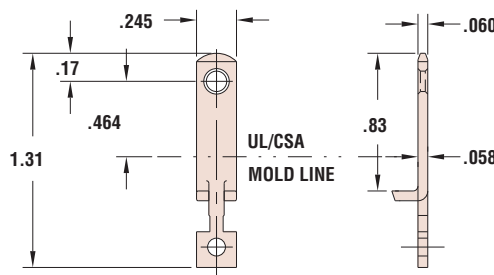
- Heyco’s Hospital Grade Line features **solid brass** and **soldered connections** for **increased** strain relief, reliability, and performance.
- DFARS Compliant

PART DATA				PART NO.	Ref Drawing	Feeds
Type	Overall Length in.	AWG Range	Material			
No Hole	1.31	Solder	Brass	5768	5768	Bulk
Flat	1.31	Solder	Brass Post-Ni	5766 5767	5766	
Angle	1.38	Solder	Brass Post-Ni	5765 5764	5765	Bulk

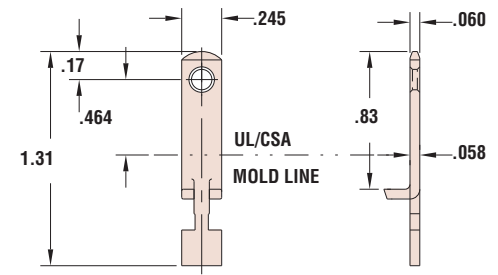
Post plated bright nickel finish available, consult Heyco.



5765



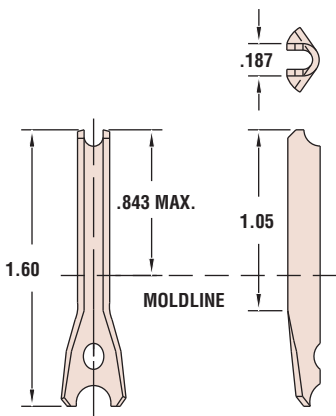
5766



5768



- DFARS Compliant



5820

8-35

Heyco® Hospital Grade U-Shape Ground Pins

PART DATA				PART NO.	Ref Drawing	Feeds
Type	Overall Length in.	AWG Range	Material			
U	1.60	Solder	Brass Post-Ni	5820 5821	5820	Bulk

Materials

Alloy 260 Brass (70% Cu, 30% Zn. Higher Cu content resists dezincification)
Post-Ni = Brass, Nickel plated after stamping