

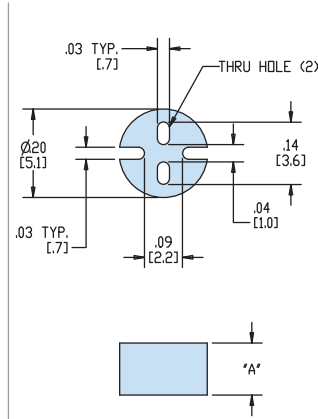
"Stay Connected" with



HEYware Products

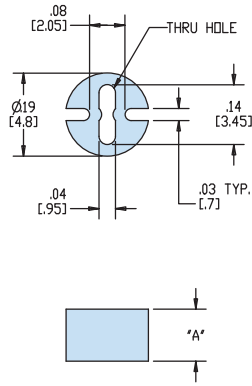
a PennEngineering® Company

## Heyco® PVC and Nylon LED Spacers



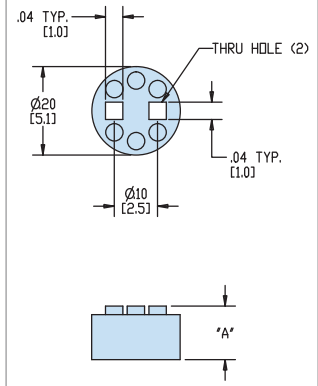
Fits T-1 3/4 (5 mm)

**HLEDM-1**



Fits T-1 (3 mm)

**HLEDM-2**



Fits T-1 3/4 (5 mm)

**HLEDS2M**

A mm.	PART NO. Black PVC	DESCRIPTION	PART NO. Black V-0	DESCRIPTION
2,0	<b>11000</b>	HLEDM-1-03M	<b>11002F</b>	HLEDM-2-02M
3,0			<b>11003F</b>	HLEDM-2-03M
5,0			<b>11004F</b>	HLEDM-2-05M
6,0			<b>11005F</b>	HLEDM-2-06M
7,0			<b>11006F</b>	HLEDM-2-07M
10,0			<b>11010F</b>	HLEDM-2-10M
12,0			<b>11007F</b>	HLEDM-2-12M
13,0			<b>11008F</b>	HLEDM-2-13M
17,0			<b>11009F</b>	HLEDM-2-17M
25,0			<b>11001</b>	HLEDM-1-25M

A		PART NO.	DESCRIPTION
in.	mm.	Natural	
.122	3,1	<b>11011</b>	HLEDS2M-120
.141	3,6	<b>11012</b>	HLEDS2M-140
.161	4,1	<b>11013</b>	HLEDS2M-160
.177	4,5	<b>11014</b>	HLEDS2M-180
.200	5,1	<b>11015</b>	HLEDS2M-200
.220	5,6	<b>11016</b>	HLEDS2M-220
.240	6,1	<b>11017</b>	HLEDS2M-240

Standard color as noted.

## Heyco® Surface Mount Miniature Connectors

For additional information about Heyco PCB Surface Mount Miniature Connectors for LED PCB's, see page 8-37.



AWG	WIRE		AMPS North America	POLES	PART NO. White	DESCRIPTION	Pieces per Coil	Coils per Box
	Size mm <sup>2</sup>	Type						
<b>SMMC Series</b>								
24	0,20-	Solid or	6	1	<b>4320</b>	SMMC-1	2000	10
18	0,75	Flexible		2		<b>4321</b>	SMMC-2	
SMMC Release Pin Tool					<b>0995</b>	SMMC-T		

*Quick  
Specs*

	HLEDM-1	HLEDM-2	HLEDS2M
Material	PVC	PVC	Nylon 6/6
Flammability Rating	94HB	94V-0	94V-2
Temperature Range	32°F (0°C) to 185°F (85°C) (All)		