

## Heyco® Heavy Duty Ground Pins – Female

For Heavy Duty Blades, see pages 8-27 & 8-28

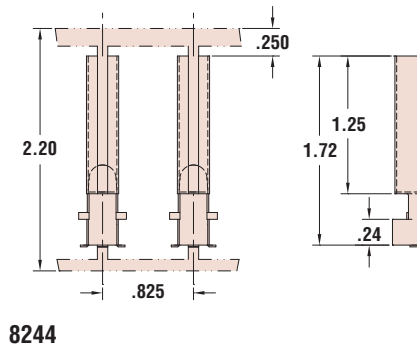
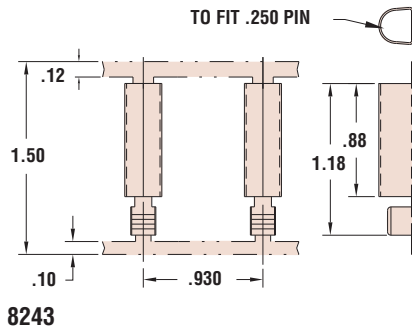


Overall Length in.	PART DATA			PART NO.	APPLICATION TOOLING*				
	Shape	AWG Range	Material		Die**	Feeds	Tool Packs	Crimp Punch	Anvil
<b>250 Series</b> - designed to mate with .250" (6,4 mm) outside diameter Heavy Duty Male Pins									
1.18	D	14-10	Brass	<b>8243</b>	8243UXX5	Left to Right	B966L/B967L	C388	C391
1.72	D	10-6	Brass	<b>8244</b>	8244UXX5	Left to Right	B952L/B953L	C640	C647

- Specify **D-shaped Barrel** parts for the most secure connection.
- DFARS Compliant

\* Use the Heyco Universal Applicator Die (indicated by "U" in the Die Part No.), page 8-59.

\*\* "XX" represents Wire Gauge. Please specify Wire Gauge when ordering.



Materials

Alloy 260 Brass (70% Cu, 30% Zn. Higher Cu content resists dezincification)

*Quick  
Specs*