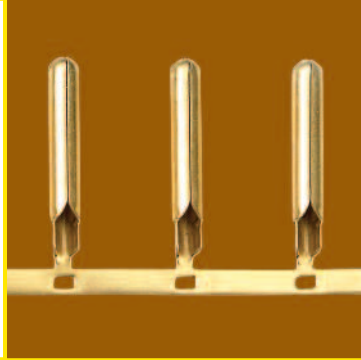
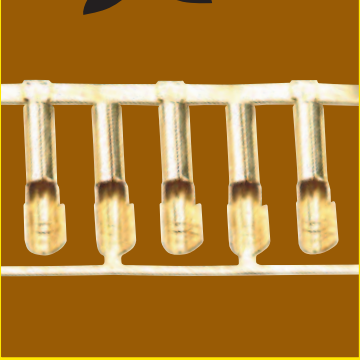
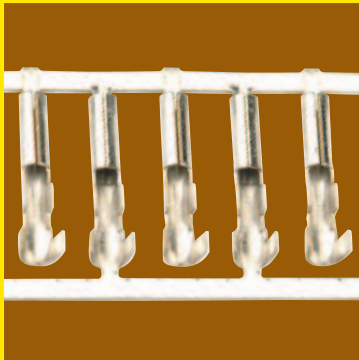


Heyco®  
Folded Pins  
for OEM  
Applications



a PennEngineering® Company





Now Available  
in Single Reel  
Order Quantities!

# Heyco® Male Pins

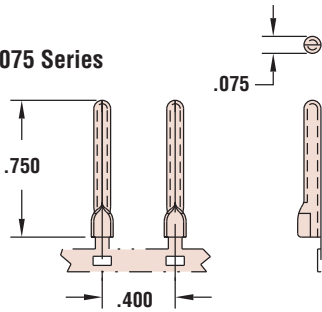
For mating Female Pin & Connectors, see pages 4 & 5 and chart on page 7



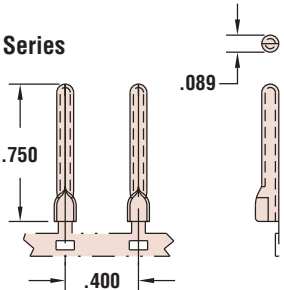
- Wide range of diameter and length combinations for 20 to 10 AWG conductors.
- Folded Pin design saves material, **reduces cost.**
- Hole behind crimp provides added **strain relief**, or can be cut-off on Assembly Equipment.
- Conductor crimp ears only.
- Available only in continuous strip form, regular (left to right) wind.

Dia. in.	PART DATA			PART NO.	APPLICATION TOOLING*					
	Overall Length in.	AWG Range	Material		Die**	Feeds	Tool Packs	Crimp Punch	Anvil	
<b>MP075 Series</b>										
.075	1.00	20-18	Brass	<b>7010</b>	7010UXX5	Left to Right	B300L/B301L	C229	C231	
<b>MP089 Series</b>										
.089	.75	20-18	Brass	<b>7012</b>	7012UXX5	Left to Right	B300L/B301L	C229	C231	
			Tin-Pi	<b>7013</b>	7013UXX5					
			Post-Silver	<b>7011</b>	7011UXX5					
<b>MP093 Series</b>										
.093	.63	20-18	Brass	<b>7002</b>	7002UXX5	Left to Right	B300L/B301L	C229	C231	
			Tin-Pi	<b>7003</b>	7003UXX5					
	.75	20-18	Brass	<b>7000</b>	7000UXX5					
			Tin-Pi	<b>7001</b>	7001UXX5					
1.00	20-18	Tin-Pi	<b>7004</b>	7004UXX5						
			.75	16-14	Brass	<b>7008</b>	7008UXX5			
Tin-Pi	<b>7009</b>	7009UXX5								
<b>MP109 Series</b>										
.109	.63	20-18	Brass	<b>7032</b>	7032UXX5	Left to Right	B300L/B301L	C229	C231	
			Tin-Pi	<b>7033</b>	7033UXX5					
	.75	20-18	Brass	<b>7030</b>	7030UXX5					
			Tin-Pi	<b>7031</b>	7031UXX5					
	1.00	20-18	Brass	<b>7034</b>	7034UXX5					
			Tin-Pi	<b>7035</b>	7035UXX5					
.63	16-14	Brass	<b>7049</b>	7049UXX5						
		Tin-Pi	<b>7050</b>	7050UXX5						
.75	16-14	Brass	<b>7047</b>	7047UXX5						
		Tin-Pi	<b>7048</b>	7048UXX5						
<b>MP122 Series</b>										
.122	1.00	16-14	Tin-Pi	<b>7055</b>	7055UXX5	Left to Right	B304L/B305L	C230	C232	

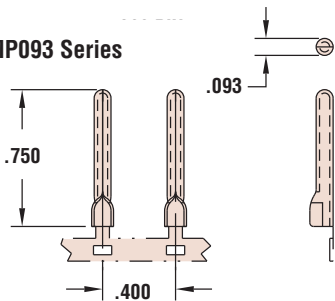
MP075 Series



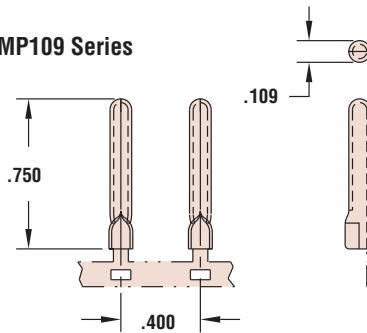
MP089 Series



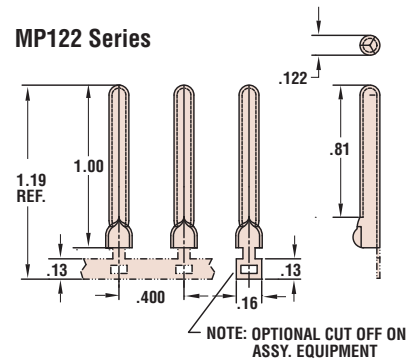
MP093 Series



MP109 Series



MP122 Series



\* Heyco high volume Application Tooling, designed for 3-5 ton presses - see page 8-63 in Heyco Catalog 113.  
Heyco Mini Applicators, designed for 1.5-3 ton bench top presses, are available - see page 8.  
\*\* "XX" represents Wire Gauge. Please specify Wire Gauge when ordering.

Quick  
Specs

**Materials**

Alloy 260 Brass (70% Cu, 30% Zn. Higher Cu content resists dezincification)  
Tin-Pi = Brass, Tin plated before or after stamping  
Post-Ni = Brass, Nickel plated after stamping



Now Available  
in Single Reel  
Order Quantities!

# Heyco® Male Pins

For mating Female Pin & Connectors, see pages 4 & 5 and chart on page 7

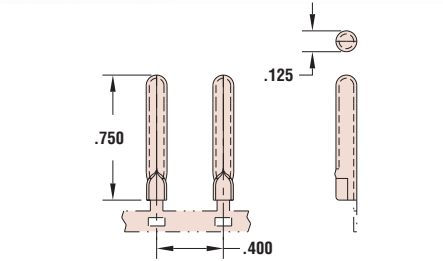


Dia. in.	PART DATA			PART NO.	APPLICATION TOOLING*				
	Overall Length in.	AWG Range	Material		Die**	Feeds	Tool Packs	Crimp Punch	Anvil
<b>MP125 Series</b>									
.125	.63	20-18	Brass	<b>7062</b>	7062UXX5	Left to Right	B300L/B301L	C229	C231
	.75	20-18	Brass Tin-Pl	<b>7060</b> <b>7061</b>	7060UXX5 7061UXX5				
	1.00	20-18	Brass Tin-Pl	<b>7064</b> <b>7065</b>	7064UXX5 7065UXX5				
	.75	16-14	Brass Tin-Pl	<b>7068</b> <b>7069</b>	7068UXX5 7069UXX5	Left to Right	B304L/B305L	C230	C232
	1.00	16-14	Tin-Pl Tin-Pl	<b>7073</b> <b>7076†</b>	7073UXX5 7076UXX5				
<b>MP141 Series</b>									
.141	1.03	18-16	Brass	<b>7171</b>	7171UXX5	Left to Right	B340L/B341L	C135	C138
<b>MP156 Series</b>									
.156	1.03	18-16	Brass Tin-Pl	<b>7181</b> <b>7183</b>	7181UXX5 7183UXX5	Left to Right	B340L/B341L	C135	C138
	1.31	18-16	Brass	<b>7180</b>	7180UXX5				
<b>MP178 Series</b>									
.178	1.39	18-14	Brass Tin-Pl	<b>7194</b> <b>7195</b>	7194UXX5 7195UXX5	Right to Left	B360R/B361R	C001	C009
		12-10	Brass Tin-Pl	<b>7192</b> <b>7193</b>	7192UXX5 7193UXX5				
			Brass Tin-Pl	<b>7192</b> <b>7193</b>	7192UXX5 7193UXX5				

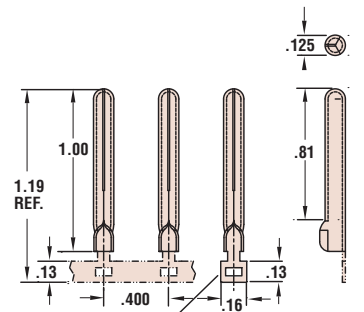
\* Heyco high volume Application Tooling, designed for 3-5 ton presses - see page 8-63 in Heyco Catalog 113.  
Heyco Mini Applicators, designed for 1.5-3 ton bench top presses, are available - see page 8.

\*\* “XX” represents Wire Gauge. Please specify Wire Gauge when ordering.

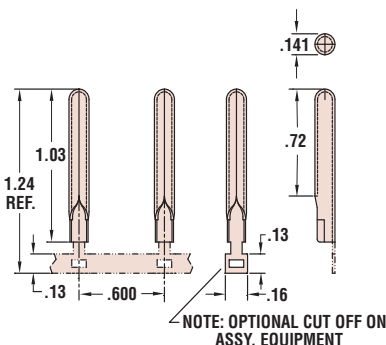
† Split on seam: pin will flex closed when in contact for a stronger connection.



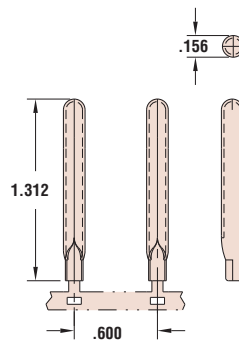
MP125 Series



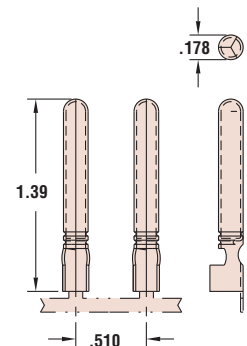
MP125 Series 7076  
NOTE: OPTIONAL CUT OFF ON ASSY. EQUIPMENT



MP141 Series



MP156 Series



MP178 Series

**Materials**

Alloy 260 Brass (70% Cu, 30% Zn. Higher Cu content resists dezincification)  
Tin-Pl = Brass, Tin plated before or after stamping

Quick  
Specs



Now Available  
in Single Reel  
Order Quantities!



# Heyco® Female Pin Connectors

## Round Barrel

For mating Male Pins, see pages 2 & 3

For Female Ground Pins, see pages 8-46 & 8-48 in Heyco Catalog 113

### TVR Series

- .56" (14,2 mm) Overall Length.
- .31" (7,9 mm) Round Barrel Length.
- Wide inside diameter range: from .077" (2,0 mm) to .151" (3,8 mm).
- 1/4" (6,4 mm) spacing between connectors for quick, easy attachment.
- Conductor crimp ears only.
- Available only in continuous strip form, regular (left to right) wind.

### SC Series

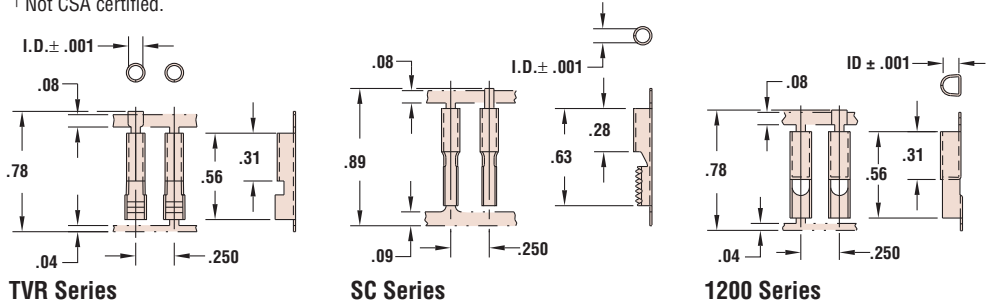
- .63" (16,0 mm) Overall Length.
- .28" (7,1 mm) Round Barrel Length.
- 1/4" (6,4 mm) spacing between connectors for quick, easy attachment.
- Conductor crimp ears only.
- Available only in continuous strip form, regular (left to right) wind.
- SC Series not CSA certified

### 1200 Series

- .56" (14,2 mm) Overall Length.
- D-Shape Barrel with "trap door".
- .109" (2,8 mm) mating Pin diameter for all Part Nos. in Series 1200.
- Mold with D-Shape load pin.
- 1/4" (6,4 mm) spacing between connectors for quick, easy attachment.
- Conductor crimp ears only.
- Available only in continuous strip form, regular (left to right) wind.
- 1200 Series not CSA certified.

Inside Dia. in.	PART DATA		PART NO.	Die**	APPLICATION TOOLING*			Crimp Punch	Anvil				
	AWG Range	Material			Feeds	Tool Packs							
<b>TVR Series - .560" Overall Length</b>													
.077	14-18	Brass	7333†	7333UXX5	Left to Right	B502L/B503L	C180	C181					
.089	14-18	Brass	7319	7319UXX5									
.091, .122	14-18	Brass Tin-Pi	7301 7298†	7301UXX5 7298UXX5									
.091	14-18	Brass Tin-Pi	7300 7299†	7300UXX5 7299UXX5									
.093	14-18	Brass	7335	7335UXX5									
.105	14-18	Brass Tin-Pi	7304 7311†	7304UXX5 7311UXX5									
.107	14-18	Brass	7305†	7305UXX5									
.111	14-18	Brass	7308	7308UXX5									
.122	14-18	Brass	7307	7307UXX5									
.131	14-18	Brass	7315	7315UXX5									
.138	14-18	Brass	7318	7318UXX5									
.138, .091	14-18	Brass	7302	7302UXX5									
.151	14-18	Brass	7303	7303UXX5									
<b>SC Series - .630" Overall Length†</b>													
.077	26-22	Tin-Pi	7668	7668UXX5					Left to Right	B530L/B531L	C449	C450	
.091	26-22	Brass	7670	7670UXX5									
		Tin-Pi Post-Ni	7672 7671	7672UXX5 7671UXX5									
<b>1200 Series - .560" Overall Length†</b>													
.103	14-18	Brass	7270	7270UXX5	Left to Right	B502L/B503L	C180	C181					
.105	14-18	Brass	7283	7283UXX5									
		Tin-Pi	7284	7284UXX5									
	14-12	Brass	7267	7267UXX5									
.111	14-18	Brass	7291	7291UXX5									

\* Heyco high volume Application Tooling, designed for 3-5 ton presses - see page 8-63 in Heyco Catalog 113.  
 Heyco Mini Applicators, designed for 1.5-3 ton bench top presses, are available - see page 8.  
 \*\* "XX" represents Wire Gauge. Please specify Wire Gauge when ordering.  
 † Not CSA certified.



Quick  
Specs

Materials	Alloy 260 Brass (70% Cu, 30% Zn. Higher Cu content resists dezincification) Tin-Pi = Brass, Tin plated before or after stamping Post-Ni = Brass, Nickel plated after stamping
Certifications	CSA Certified by the Canadian Standards Association File 91824

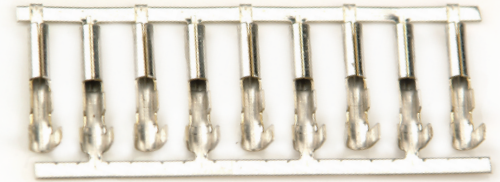


# Heyco® Female Pin Connectors

## Round Barrel with Insulation Crimp

For mating Male Pins, see pages 2 & 3

For Female Ground Pins, see pages 8-46 & 8-48 in Heyco Catalog 113



Inside Dia. in.	PART DATA		PART NO.	APPLICATION TOOLING*				
	AWG Range	Material		Die**	Feeds	Tool Packs	Crimp Punch	Anvil
<b>FE Series - .630" Overall Length</b>								
.060	20-18	Brass	<b>7382</b>	7382UXX5	Left to Right	B514L/B515L	C185	C189
		Tin-Pl	<b>7383</b>	7383UXX5				
		Post-Ni	<b>7385</b>	7385UXX5				
.062	20-18	Brass	<b>7370†</b>	7370UXX5				
		Brass	<b>7386†</b>	7386UXX5				
		Tin-Pl	<b>7389†</b>	7389UXX5				
.067	20-18	Brass	<b>7387</b>	7387UXX5				
.070	20-18	Tin-Pl	<b>7379</b>	7379UXX5				
.072	20-18	Tin-Pl	<b>7381</b>	7381UXX5				
.074	20-18	Brass	<b>7393</b>	7393UXX5				
.078	20-18	Brass	<b>7369</b>	7369UXX5				
.079	20-18	Tin-Pl	<b>7371†</b>	7371UXX5				
	20-18	Tin-Pl	<b>7372</b>	7372UXX5				
.082	20-18	Tin-Pl	<b>7378</b>	7378UXX5				
.088	20-18	Brass	<b>7400</b>	7400UXX5				
.091	20-18	Brass	<b>7395</b>	7395UXX5				
		Tin-Pl	<b>7380</b>	7380UXX5				
.093	20-18	Brass	<b>7384</b>	7384UXX5				
.097	20-18	Brass	<b>7376</b>	7376UXX5				
.105	20-18	Brass	<b>7405</b>	7405UXX5				

### FE Series

- .63" (16,0 mm) Overall Length.
- .28" (7,1 mm) Round Barrel Length.
- Round barrel with wide inside diameter range: from .060" (1,5 mm) to 1.05" (26,7 mm).
- 1/4" (6,4 mm) spacing between connectors for quick, easy attachment.
- Conductor crimp ears only.
- Available only in continuous strip form, regular (left to right) wind.

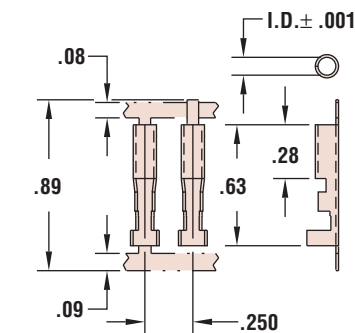
**Now Available  
in Single Reel  
Order Quantities!**

\* Heyco high volume Application Tooling, designed for 3-5 ton presses - see page 8-63 in Heyco Catalog 113.

Heyco Mini Applicators, designed for 1.5-3 ton bench top presses, are available - see page 8.

\*\* "XX" represents Wire Gauge. Please specify Wire Gauge when ordering.

† Short Insulation.



FE Series

#### Materials

**Alloy 260 Brass (70% Cu, 30% Zn. Higher Cu content resists dezincification)**  
 Tin-Pl = Brass, Tin plated before or after stamping  
 Post-Ni = Brass, Nickel plated after stamping

*Quick  
Specs*



Now Available  
in Single Reel  
Order Quantities!



# Heyco® Specialty Female Connectors

For mating Male Pins, see pages 2 & 3

For Female Ground Pins, see pages 8-46 & 8-48 in Heyco Catalog 113

## 1330 Series

- **D-Shape Barrel** for better contact.
- .125" (3,2 mm) mating Male Pin diameter for all Part Nos. in Series 1330 – Available in (3) different lengths: .33" (8,4 mm), .45" (11,4 mm) and .61" (15,5 mm).
- Assembly dies available for crimping 1, 2 or 3 conductors simultaneously.
- 1/4" (6,4 mm) spacing between connectors for quick, easy attachment.
- Conductor crimp ears only.
- Available only in continuous strip form, regular (left to right) wind and reverse (right to left) wind.

## JH & JHB Series

- .87" (22,1 mm) Overall Length.
- .50" (12,7 mm) **Round Barrel** Length.
- Conductor crimp ears only.
- Available only in continuous strip form, regular (left to right) wind.

## Heater Cord Connector

- 3 wiping legs assure excellent **electrical continuity**.
- Features flaps below crimp for added **strain relief** when placed in a housing.
- Mates with a .156" (4,0 mm) diameter Male Pin.

Inside Dia. in.	Barrel Length in.	PART DATA			PART NO.	APPLICATION TOOLING*				
		Overall Length in.	AWG Range	Material		Die**	Feeds	Tool Packs	Crimp Punch	Anvil
<b>1330 Series</b>										
.122	.610	.950	24-18	Brass	7357	7357UXX5	Right to Left or	B580R/B581R B578R/B579R	C792 C737	C793 C738
					7359†	7359UXX5	Left to Right or	B582L/B583L B584L/B585L	C026 C030	C035 C037
					7358†	7358UXX5	Right to Left or	B582R/B583R B584R/B585R	C026 C030	C035 C037
	.330	.670	18-16	Brass	7366	7366UXX5	Left to Right or	B572L/B573L B574L/B575L	C020 C024	C034 C036
					7364	7364UXX5				
					.450	.800	18-16	Brass	7360	7360UXX5
7361	7361UXX5									

## JH Series - 3-Finger Crimp

.105	.500	.870	18-16	Brass	7535	7535UXX5	Left to Right	B524L/B525L	C362	C367
.122	.500	.870	18-16	Brass	7540	7540UXX5				
.153	.500	.870	18-16	Brass	7545	7545UXX5				

## JHB Series - Swedged Crimp

.105	.500	.870	18-16	Brass	7610	7610UXX5	Left to Right	B526L/B527L	C580	C581
.122	.500	.870	18-16	Brass	7615	7615UXX5				
.153	.500	.870	18-16	Brass	7620	7620UXX5				

## Heater Cord Connector

.156	-	-	18-14	Brass	7530	7530UXX5	Left to Right	B970L/B971L	C701	C697
------	---	---	-------	-------	------	----------	---------------	-------------	------	------

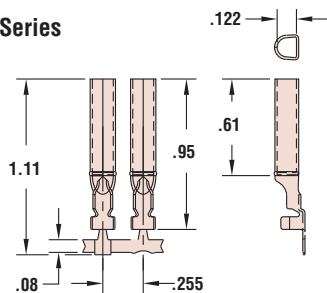
\* Heyco high volume Application Tooling, designed for 3-5 ton presses - see page 8-63 in Heyco Catalog 113.

Heyco Mini Applicators, designed for 1.5-3 ton bench top presses, are available - see page 8.

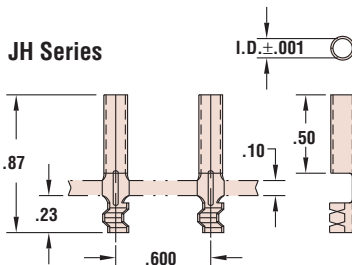
\*\* "XX" represents Wire Gauge. Please specify Wire Gauge when ordering.

† With Insulation Crimp for strain relief and wire support for insertion into the housing.

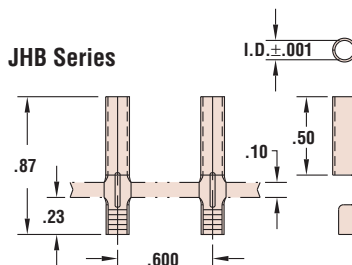
## 1330 Series



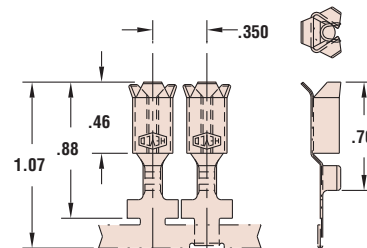
## JH Series



## JHB Series



## Heater Cord Connector



Quick  
Specs

Material

Alloy 260 Brass (70% Cu, 30% Zn. Higher Cu content resists dezincification)



# Heyco® Male Pins Mating Chart

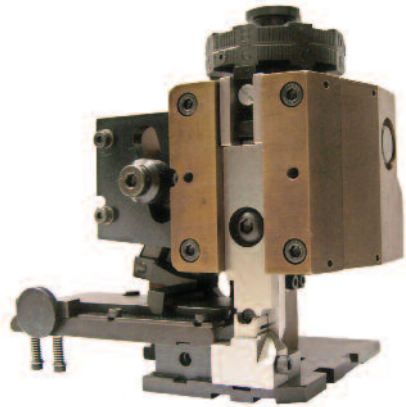
MALE PART DATA			PART NOS.		
Dia. in.	AWG Range	Material	Male	Mating Female	Mating Female Series
<b>MP075 Series</b>					
.075	20-18	Brass	7010	7381	FE
<b>MP089 Series</b>					
.089	20-18	Brass	7012	-	-
		Tin-Pl	7013	-	-
		Post-Silver	7011	-	-
<b>MP093 Series</b>					
.093	20-18	Brass	7002	7395	FE
		Tin-Pl	7003	7380	
		Brass	7000	7395	
	Tin-Pl	7001	7380		
	Tin-Pl	7004	7380		
16-14	Brass	7008	7300	TVR	
Tin-Pl	7009	7299			
<b>MP109 Series</b>					
.109	20-18	Brass	7032	7305	TVR
		Tin-Pl	7033	-	-
	20-18	Brass	7030	7405	FE
		Tin-Pl	7031	-	-
	20-18	Brass	7034	7405	FE
		Tin-Pl	7035	-	-
	16-14	Brass	7049	7283	1200
		Tin-Pl	7050	7284	
	16-14	Brass	7047	7283	
		Tin-Pl	7048	7284	

Consult Heyco for parts lacking mates.

MALE PART DATA			PART NOS.		
Dia. in.	AWG Range	Material	Male	Mating Female	Mating Female Series
<b>MP122 Series</b>					
.122	16-14	Tin-Pl	7055	-	-
<b>MP125 Series</b>					
.125	20-18	Brass	7062	-	1330
	20-18	Brass	7060	7357, 7358 or 7359*	
		Tin-Pl	7061		
	20-18	Brass	7064	7360, 7361, 7364 or 7366*	1330
	Tin-Pl	7065			
	16-14	Brass	7068	7360, 7361, 7364 or 7366*	
		Tin-Pl	7069		
	16-14	Tin-Pl	7073	7360, 7361, 7364 or 7366*	
Tin-Pl		7076			
<b>MP141 Series</b>					
.141	18-16	Brass	7171	-	-
<b>MP156 Series</b>					
.156	18-16	Brass	7181	7620	JHB
		Tin-Pl	7183	-	-
	18-16	Brass	7180	7620	JHB
<b>MP178 Series</b>					
.178	18-14	Brass	7194	-	-
		Tin-Pl	7195	-	-
	12-10	Brass	7192	-	-
Tin-Pl		7193	-	-	

\*These are Brass 1330 Series Specialty Females, differing in feed direction and insulation crimp.

Please consult Heyco for more information on the above parts, or for parts lacking mates.



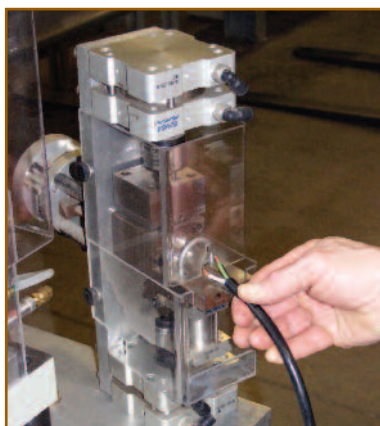
### Wire Stripper

Heyco now offers a Wire Stripping Unit for use with our Semi-Automatic Application Systems. This unit will cut and strip to length the inner jacket of your wire. It also preforms the wire for faster insertion when using our Semi-Automatic Application Systems.

Order the Z464 Wire Stripper Assembly Base with the appropriate wire gauge tooling shown:

- Z462 Wire Stripper (18 Ga.)
- Z498 Wire Stripper (16 Ga.)
- Z499 Wire Stripper (14 Ga.)
- Z590 Wire Stripper (12 Ga.)
- Z591 Wire Stripper (10 Ga.)

The wire gauge tooling is interchangeable if various wire gauges are required.



## Heyco® Mini Applicators

Quick change Mini-Applicators compatible with industry standard 1.5 - 3 ton presses. Consult Heyco with your specific application needs.

For use with the following Heyco parts.

DESCRIPTION	CAT. 113 PAGE NO.	CAT. 113 PART NO.
Heyco Ring and Spade Terminals	8-19, 8-20	All
Heyco Quick Connect Terminals	8-21, 8-22	All
	8-23	<b>4750, 4751</b>
	8-24	<b>4838, 4834, 4835</b>
Heyco Padded Male Blades	8-35	All
Heyco Full Thickness Male Blades	8-37	All
	8-39	None
Heyco .187" Diameter Ground Pins - Male & Female	8-45, 8-46	All
Heyco Specialty Pins	8-44	All
Heyco Male Pins	8-49, 8-50	All
Heyco Female Pin Connectors - Round Barrel	8-51	All
Heyco Female Pin Connectors - Round Barrel with Insulation Crimp	8-52	All
Heyco Specialty Female Connectors	8-53	All

### To order a Heyco® Mini Applicator...

Please provide your customer service representative with the following:

1. Correct Heyco part number
2. American Wire Gauge (AWG) you will be using with the Heyco part number (AWG replaces the "XX" that appears under the Die column in the tabular charts).
3. Shut height of your press
4. Sample of the wire you are using

### Press Specifications for Heyco® Mini Applicators

1. 1.5 to 3.0 tons depending on terminal.
2. 1.575" to 1.181" (30 - 40 mm) stroke
3. 5.346" (135.8 mm) shut height
4. Mounting mini die T style coupling.

#### For High Volume Applications:

Consult Heyco for our standard and universal applicator dies and presses.



a **PennEngineering®** Company

**“Stay Connected with Heyco” Power Components**

Phone: 732.286.1800 • Toll Free: 800.526.4182  
 Fax: 732.244.8843 • Toll Free Fax: 800.358.7904

**www.heyco.com**