

“Stay Connected” with



Power Components

a PennEngineering® Company

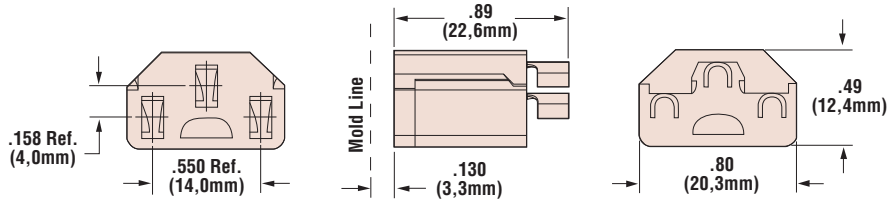


- Crimp all three terminals at once.
- **Faster loading of plug molds.**
- Assure reliable contact performance.
- Improve plug quality.
- **Reduce PVC usage and plug cost!**
- Available assembled or unassembled.
- Automated terminating equipment is available. Consult Heyco for details.
- IEC 60320 compatible.
- For Heyco's IEC-14 Plug, see page 6-42.
- DFARS Compliant

## Heyco® Preassembled Cordset Components IEC-320 Business Machine Assembly - C13 Female - 250V, 10 Amps

PART DATA			PART NO.	APPLICATION TOOLING*			
Type	Color	AWG Range		Die**	Feeds	Crimp Punch	Anvil
IEC-320 Biz Machine Assembly	Black	18-14	<b>S7580</b>	S7580SXX5	-	C774	C775
Unassembled IEC-320 Housing	Black	n/a	<b>S7780</b>				

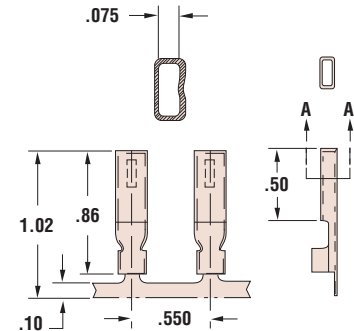
\* Use the Heyco Standard Applicator Die (indicated by the second “S” in the Die Part No.), page 8-59  
\*\* “XX” represents Wire Gauge. Please specify Wire Gauge when ordering.



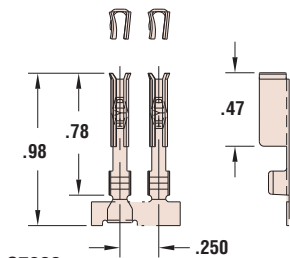
S7580



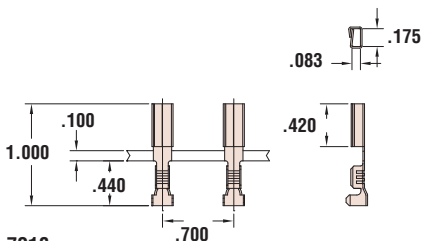
7216



BMC-1



S7200



7218

## Heyco® Business Machine Female Connectors IEC-320 - C13 Female - 250V, 10 Amps

PART DATA				PART NO.	APPLICATION TOOLING*				
Type	Gap mm.	AWG Range	Material		Die**	Feeds	Tool Packs	Crimp Punch	Anvil
Crimp	-	18-14	Brass	<b>7216</b>	7216UXX5	Left to Right	B954L/B955L	C655	C658
Insulation Crimp†	-	18-14	Brass	<b>7218</b>	7218UXX5	Left to Right	B956L/B957L		
BMC-1 .070~	1,8	18-12	Brass	<b>7221</b>	7221UXX5	Left to Right	B440L/B441L	C128	C130
BMC-1 .075~	1,9	18-12	Brass	<b>7220</b>	7220UXX5				
Unassembled BMC IEC-320 Contact		18-14	Brass	<b>S7200</b>	S7200UXX5 S7200SXX5	Left to Right	B964L/B965L	C688	C689

\* Use the Heyco Universal Applicator Die (indicated by “U” in the Die Part No.), page 8-59.

For Part No. S7200, the Heyco Standard Applicator Die may also be used.

\*\* “XX” represents Wire Gauge. Please specify Wire Gauge when ordering.

† Insulation Crimp Terminals provide **strain relief** as well as **support** for insertion into the housing.

Materials

Alloy 260 Brass (70% Cu, 30% Zn. Higher Cu content resists dezincification)  
6/6 Nylon