

“Stay Connected” with



Liquid Tight Cordgrips

a PennEngineering® Company

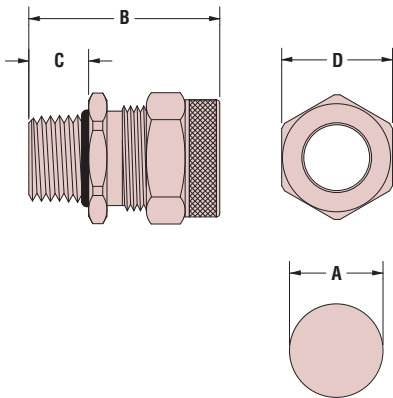


Heyco® -Tite Aluminum Liquid Tight Cordgrips

Straight-Thru, NPT Hubs

The Ultimate in Liquid Tight Strain Relief Protection

- **Aluminum construction** provides excellent durability and performance for most **industrial applications**.
- For use in both indoor and outdoor applications to prevent cable pull-out, control arc of bend, and to provide a tight seal against environmental elements such as dirt, moisture, and coolants.
- IP 67 rated.
- Protect cable from damage and pull-out and are used in conduit hubs or knock-outs at the point where the electrical cable is to be terminated.
- Unique design with a combination tightening surface that includes both a hex area and a knurled surface.
- Anti-friction washer allows for easier compression.
- DFARS Compliant



SUGGESTED CLEARANCE HOLE FOR NONTHREADED MOUNTING

CABLE DIA. RANGE				PART NO. Machined Aluminum	THREAD SIZE	UL	PART DIMENSIONS														
Minimum		Maximum					A Clearance Hole Dia.		B Max. O.A. Length		C Thread Length		D Wrenching Flat Size								
in.	mm.	in.	mm.				in.	mm.	in.	mm.	in.	mm.	in.	mm.							
Machined Aluminum																					
.562	14,3	.688	17,5	M5069*	NPT 1-1/2	UL	1.97	50,0	2.50	63,5	.69	17,5	2.25	57,2							
.688	17,5	.812	20,6	M5070																	
.750	19,1	.875	22,2	M5071																	
.875	22,2	1.000	25,4	M5072																	
1.000	25,4	1.125	28,6	M5073																	
1.125	28,6	1.250	31,8	M5074																	
1.250	31,8	1.375	34,9	M5075																	
1.250	31,8	1.375	34,9	M5080	NPT 2	UL	2.46	62,5	3.12	79,2	.80	20,3	2.83	71,9							
1.312	33,3	1.437	36,5	M5081																	
1.438	36,5	1.562	39,7	M5082																	
1.562	39,7	1.688	42,9	M5083																	
1.688	42,9	1.812	46,0	M5084																	
Cast Aluminum																					
1.688	42,9	1.812	46,0	M5091											NPT 2-1/2	UL	2.96	75,2	4.20	106,7	1.28
1.812	46,0	1.938	49,2	M5092																	
1.938	49,2	2.062	52,4	M5093																	
2.062	52,4	2.188	55,6	M5094																	
2.188	55,6	2.312	58,7	M5095																	
2.312	58,7	2.438	61,9	M5096																	
1.688	42,9	1.812	46,0	M5097	NPT 3	UL	3.58	90,9	4.20	106,7	1.31	33,3	4.00	101,6							
1.812	46,0	1.938	49,2	M5098																	
1.938	49,2	2.062	52,4	M5099																	
2.062	52,4	2.188	55,6	M5100																	
2.188	55,6	2.312	58,7	M5101																	
2.312	58,7	2.438	61,9	M5102																	
2.437	61,9	2.625	66,7	M5103											NPT 3	*	3.50	88,9	4.85	123,2	1.39
2.625	66,7	2.812	71,4	M5104																	
2.812	71,4	3.000	76,2	M5105																	
3.000	76,2	3.250	82,6	M5106																	

Assembled O-ring **INCLUDED**. *Not UL Listed or CSA Certified.
Locknut not included - See page 3-48 for Metal Locknuts.

Quick Specs

Material	Aluminum with Neoprene Sealing Gland and Viton® O-Ring
Certifications	UL Listed under Underwriters' Laboratories File E51579 CSA Certified by Canadian Standard Association File 258093
Flammability Rating	94V-2
Temperature Range	-40°F (-40°C) to 250°F (121°C)
IP Rating	IP 67