

Heyco® .187" Diameter Ground Pins – Male Right Angle

90° crimp section designed for Right Angle Plugs

See pages 8-29 thru 8-34 for Heyco Padded and Full Thickness Blades



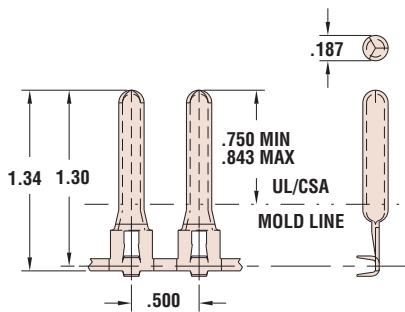
| Overall Length in. | PART DATA | | PART NO. | APPLICATION TOOLING* | | | | |
|----------------------|-----------|----------|----------|----------------------|-------|------------|-------------|-------|
| | AWG Range | Material | | Die** | Feeds | Tool Packs | Crimp Punch | Anvil |
| 187 Series | | | | | | | | |
| 1.34 | 20-18 | Brass | 5913 | 5913SXX5 | Rear | - | 0J48 | 0J49 |
| | 16-12 | Brass | 5900 | - | Rear | - | 088A | 097A |
| Solid U Shape | | | | | | | | |
| .82 | 18-16 | Brass | 8013 | - | Bulk | | | |

Male Right Angle Pins - 187 Series

- Feature .187" (4,7 mm) Pin diameter.
- Parts differentiate by **flag type crimp** size and thus accommodate AWG 20-18 conductors and AWG 16-12 conductors.
- DFARS Compliant

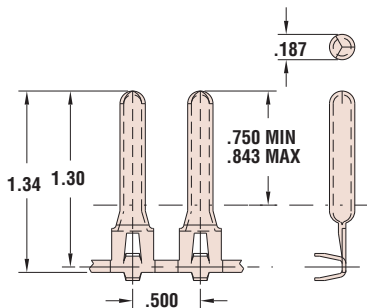
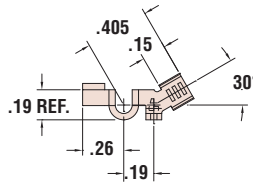
Male Right Angle Pin - Solid U Shape

- Feature .187" (4,7 mm) Pin diameter.
- Shorter part, accommodates 18-16 AWG conductors.
- Available in bulk form only.
- DFARS Compliant



187 Series 20-18 AWG

8013



187 Series 16-12 AWG

Materials

Alloy 260 Brass (70% Cu, 30% Zn. Higher Cu content resists dezincification)

Quick Specs