

“Stay Connected” with



Solar Power Components

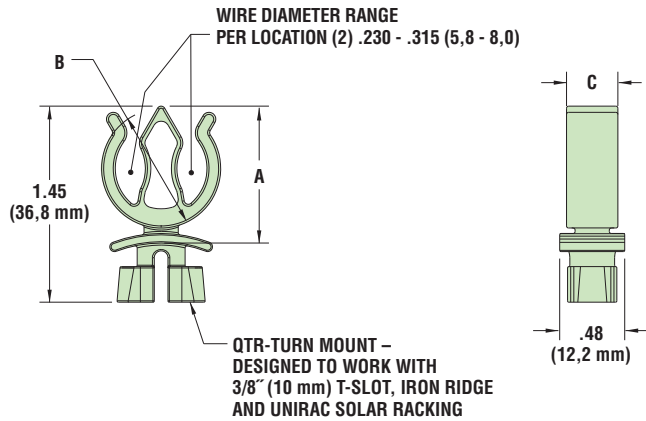
a PennEngineering® Company



Heyco® Quarter-Turn Mount Wire Clips Helios QTM-3

ALL NEW
PRODUCT!

WIRE DIAMETER RANGE 1-2 Wires	PART NO.		DESCRIPTION	PART DIMENSION					
	HS Nylon 6/6 Black 100 Pack	HS Nylon 6/6 Black Bulk		A Height	B Width	C Depth			
.230 (5,8 mm) - .315 (8,0 mm) Each Cable	S6634B	S6635B	Helios QTM-3	1.01 in.	25,7 mm.	.87 in.	22,1 mm.	.38 in.	9,6 mm.



- All new Quarter-Turn Mount #3 style (QTM-3) products, designed to work with popular IronRidge and Unirac solar racking systems.
- Could be used in any 3/8" T-Slot racking or rail system from other manufacturers.
- Simple application by hand with quick twist 90 degrees for friction fit swivel hold in place and high pull out retention.
- Simply twist to remove for routing and location adjustment.

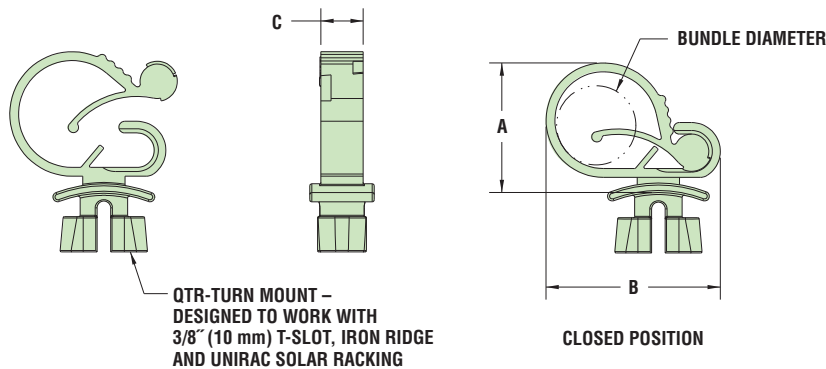
Helios design:

- Holds up to 2 cables between .230 - .315" (5,8 - 8,0 mm) each.
- Cables install with fingertip pressure.
- Design provides high axial retention with one cable and even better with both cable bays filled.

Heyco® Quarter-Turn Mount Wire Clips SBC QTM-3

ALL NEW
PRODUCT!

BUNDLE DIAMETER				PART NO.		DESCRIPTION	PART DIMENSION					
in.		mm.		HS Nylon 6/6 Black 100 Pack	HS Nylon 6/6 Black Bulk		A Height	B Width	C Depth			
.29	7,4	.44	11,2	15412B	15414B	SBCQTM-3 437	.99 in.	25,1 mm.	1.12 in.	28,4 mm.		
.41	10,4	.69	17,5	15416B	15418B	SBCQTM-3 687	1.16 in.	29,5 mm.	1.24 in.	31,5 mm.	.31 in.	7,9 mm.
.60	15,2	.88	22,2	15420B	15422B	SBCQTM-3 875	1.46 in.	37,1 mm.	1.66 in.	42,2 mm.		



SBC design:

- Wide cable diameter range for multiple applications.
- Releasable and reusable.
- Secure clamping, will not release easily.
- Locking feature prevents twisting apart.

Material	Nylon 6/6, Heat Stable / UV Stable
Flammability Rating	UL 94 V-2
Temperature Range	-40°F (-40°C) to 239°F (115°C)

