

“Stay Connected” with



Solar Power Components

a PennEngineering® Company

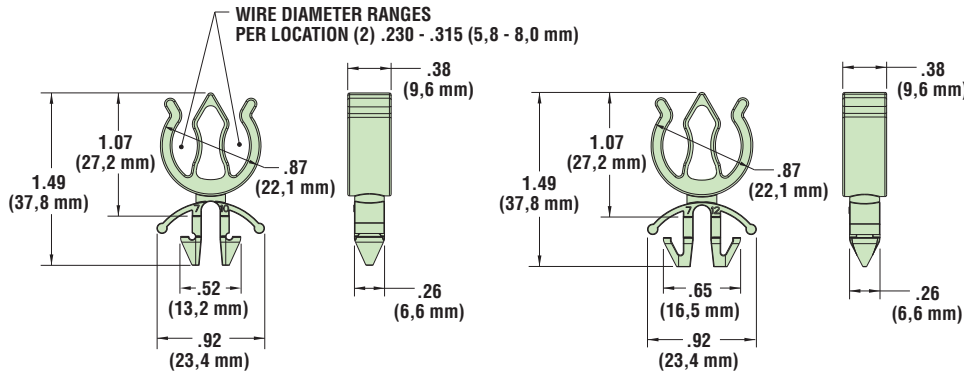
ALL NEW PRODUCT!



Heyco® Helios® Clip – Bi-Directional, Oval-Hole Mount

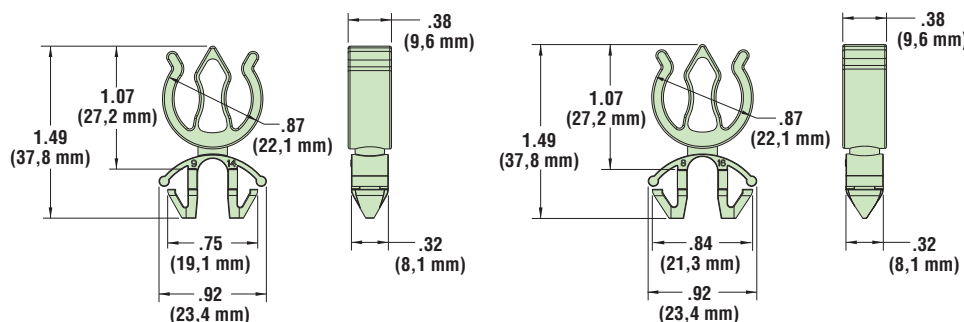
WIRE DIAMETER RANGE 1-2 Wires	PART NO. UV/HS Nylon 6/6 Black	DESCRIPTION	MOUNTING HOLE B1 x B2 in. / mm.	POPULAR SOLAR PANEL MANUFACTURERS	PANEL THICKNESS			
					Minimum		Maximum	
					in.	mm.	in.	mm.
.230 (5,8 mm) - .315 (8,0 mm) Each Cable	S6620	Helios Bi-Directional 7x10 – 100/Bag	.28 x .39 / 7,0 x 10,0	Boviet, Canadian Solar, VSUN, Jinko, Longi, Qcells, Trina	.055	1,4	.175	4,4
	S6621	Helios Bi-Directional 7x10 – Bulk						
	S6622	Helios Bi-Directional 7x12 – 100/Bag	.28 x .47 / 7,0 x 12,0	Canadian Solar, Silfab				
	S6623	Helios Bi-Directional 7x12 – Bulk						
	S6624	Helios Bi-Directional 9x14 – 100/Bag	.35 x .55 / 9,0 x 14,0	Boviet, Canadian Solar, VSUN, JA Solar, Jinko, Longi, Trina				
	S6625	Helios Bi-Directional 9x14 – Bulk						
	S6626	Helios Bi-Directional 8.5x16 – 100/Bag	.34 x .63 / 8,5 x 16,0	Qcells			.135	3,4
	S6627	Helios Bi-Directional 8.5x16 – 100/Bag						

- All new Bi-Directional, Oval-Hole Mount designed to work in common mounting hole sizes currently found on most popular solar panel flange designs.
- Unique design ensures stability by preventing unintentional rotation within standard oval mounting holes on solar panel frames.
- Flexible application for straight-on or 90 degree panel configurations running wires North/South or East/West.
- Push through hole for fast, simple installation by hand – turned 90 degrees, friction-fit holds firmly in place; High pull-out retention.
- Holds up to 2 cables between .230 - .315" (5,8 - 8,0 mm) each.
- Cables install with fingertip pressure.
- Design provides high axial retention with one cable and even higher retention with both cable bays filled.



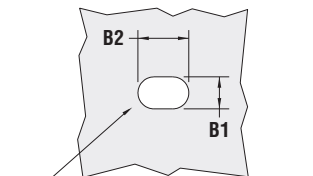
S6620 / S6621

S6622 / S6623

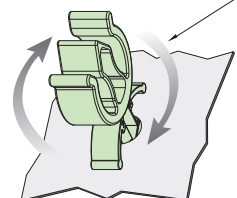
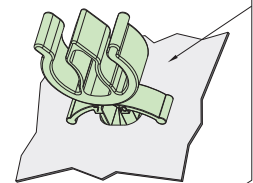


S6624 / S6625

S6626 / S6627



DESIGNED FOR USE IN OVAL MOUNTING HOLES, STRAIGHT-ON OR 90° ORIENTATION



Material: Black Heat Stable / UV Stable Nylon
 Temperature Range: -4°F (-20°C) to 185°F (85°C)